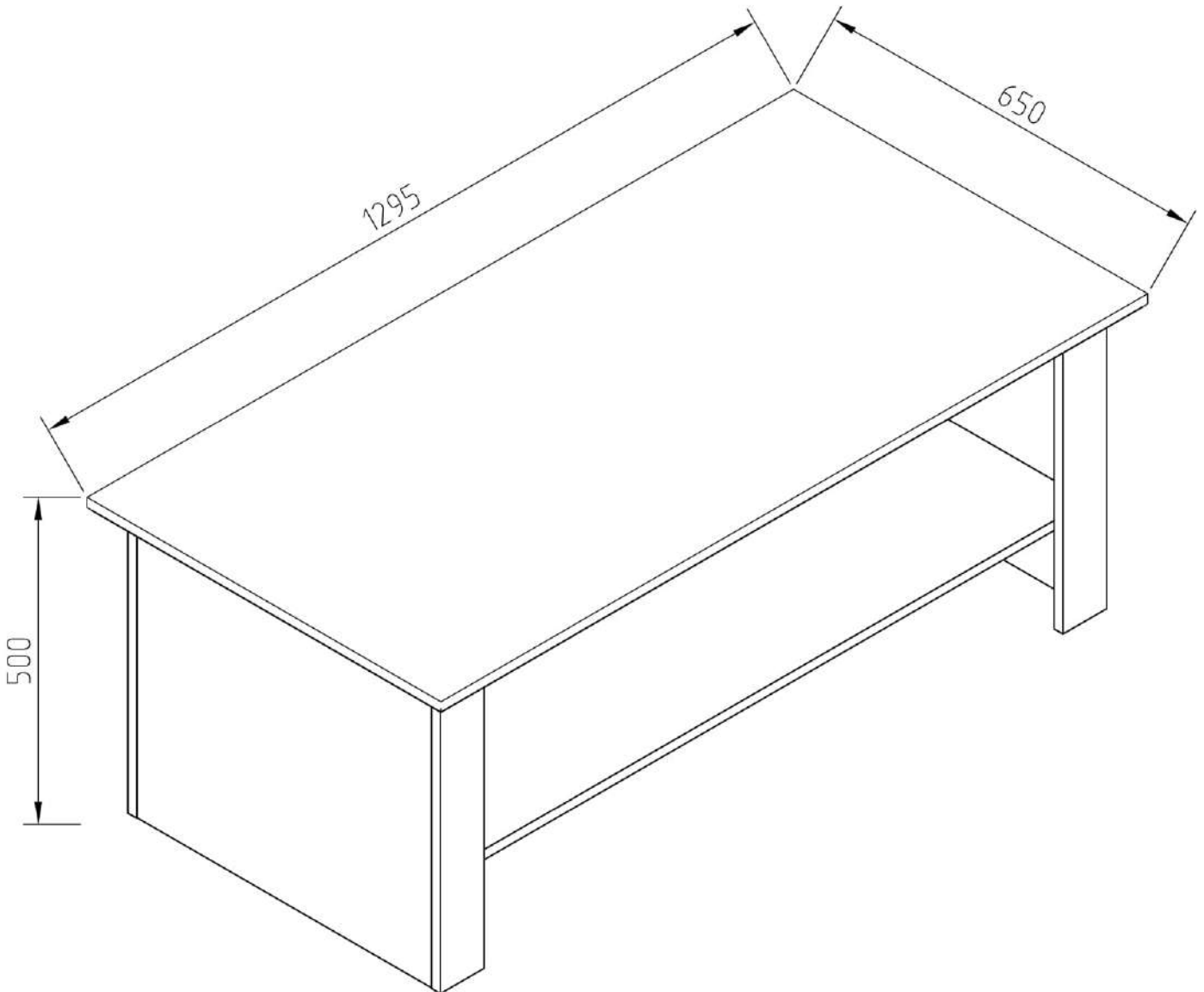




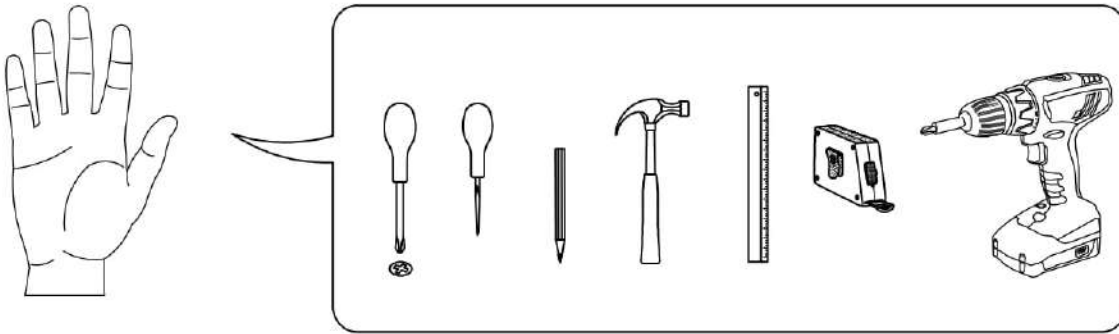
VALERIO


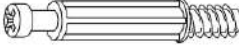



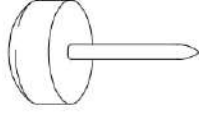

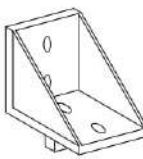
COFFEE TABLE




VALERIO

COFFEE TABLE

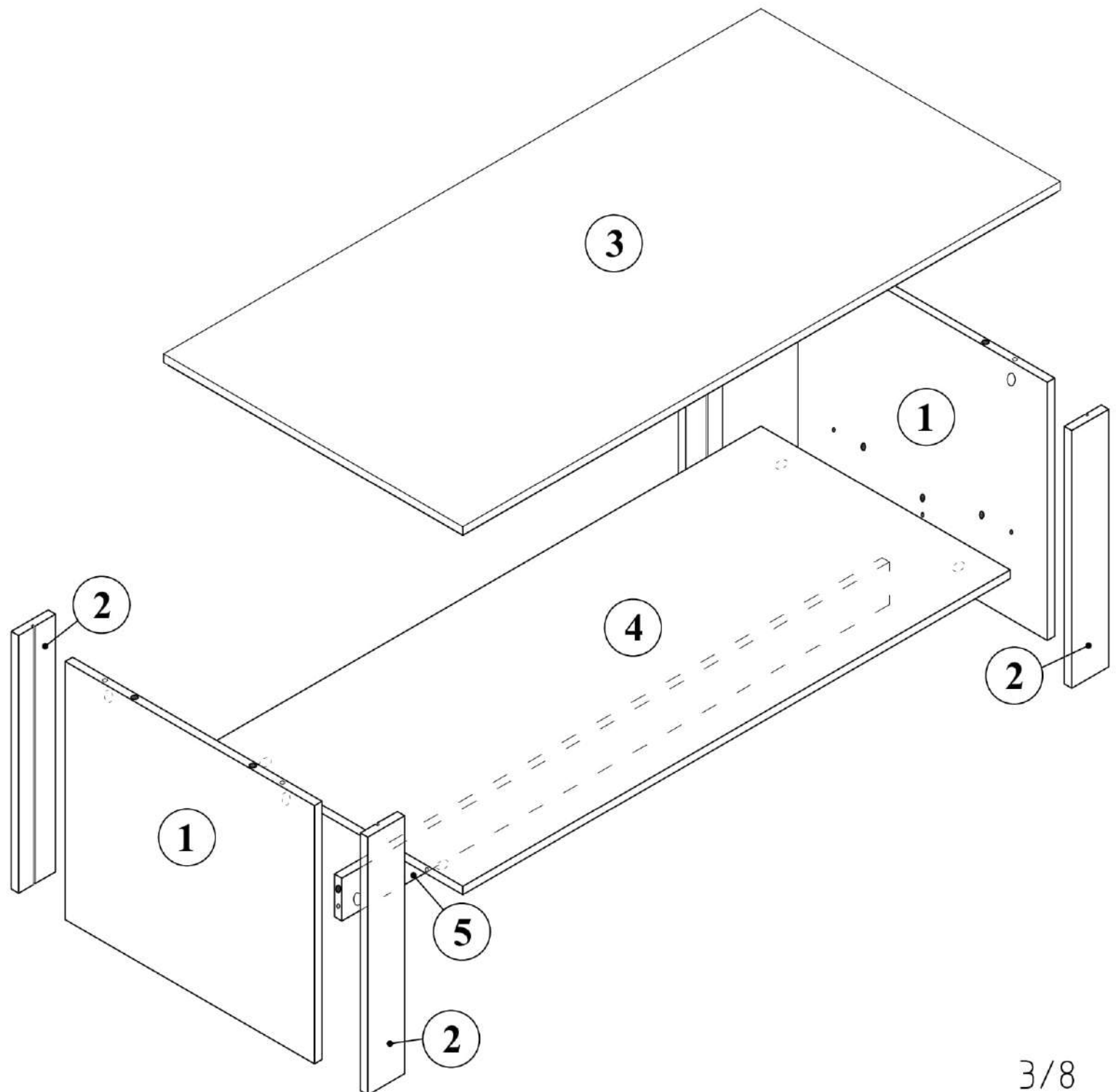
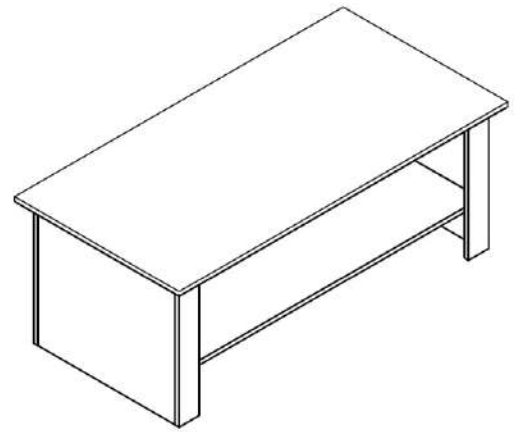


 A1 8*30mm x10	 C1 5*30mm x10	 D x10
 D1 16mm x10	 E5 3,5*16 x32	 K4 x6
 R4 N°4 x1	 S13 x8	

No	a*b	x	Nº→...
1	484x540	x2	2/2
2	483x80	x2	2/2
3	1294x648	x1	1/2
4	1186x540	x1	2/2
5	1186x80	x1	2/2
		x1	2/2


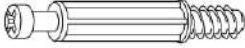

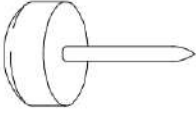
VALERIO

COFFEE TABLE



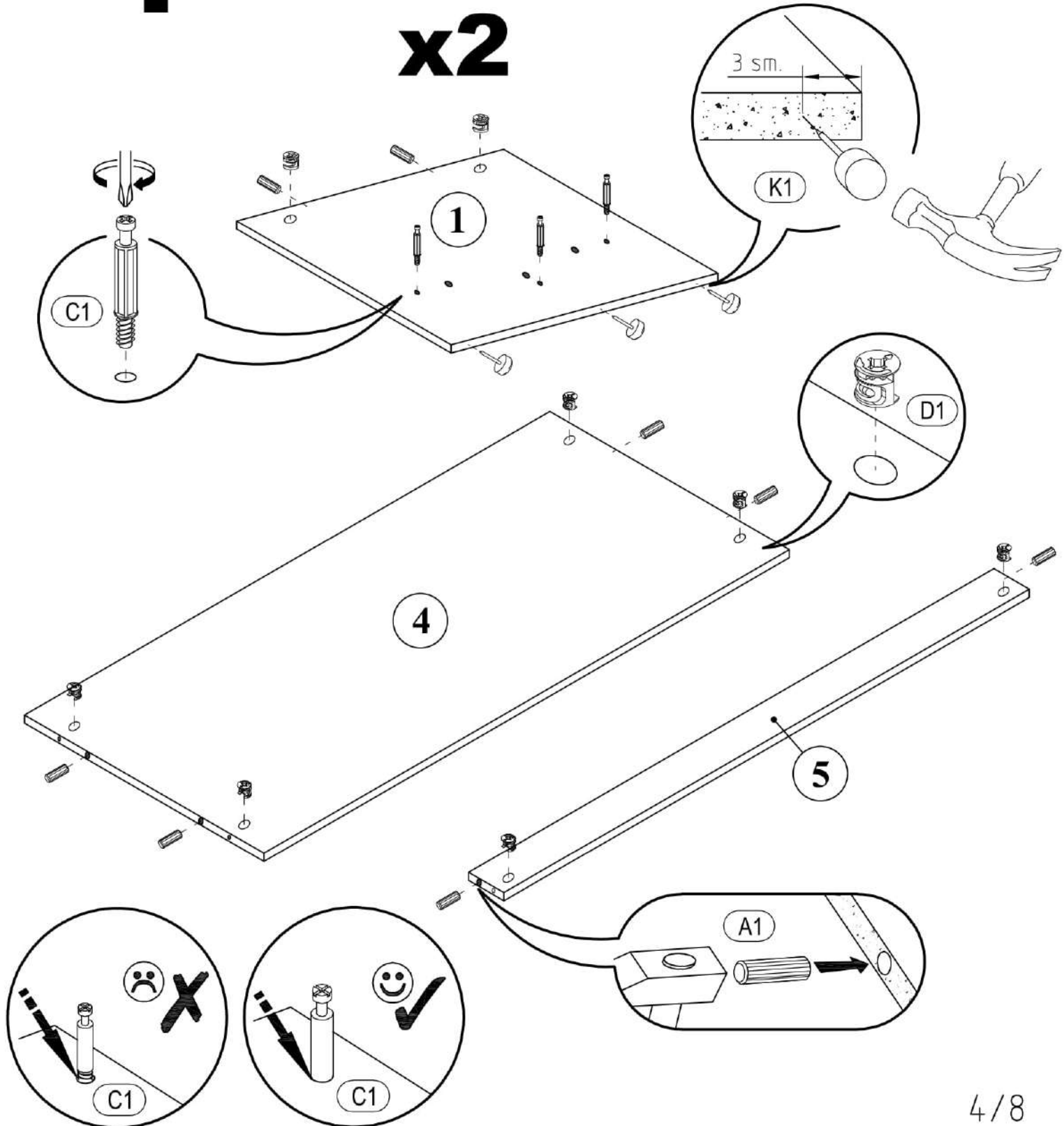
VALERIO

COFFEE TABLE

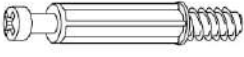

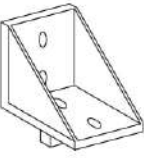
 (A1) 8*30mm x10	 (C1) 5*30mm x6	 (D1) 16mm x10
		 (K4) x6

1

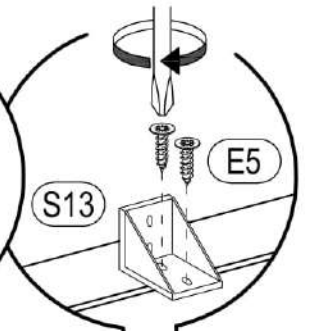
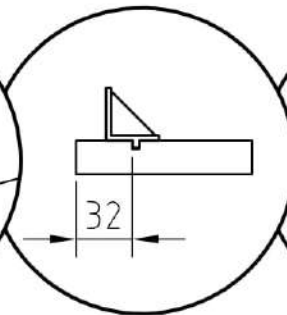
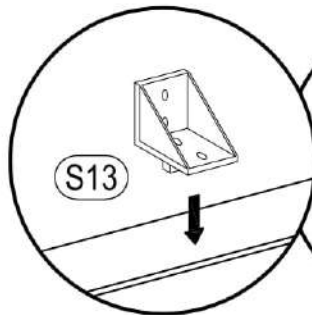
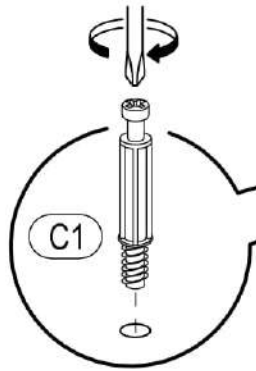
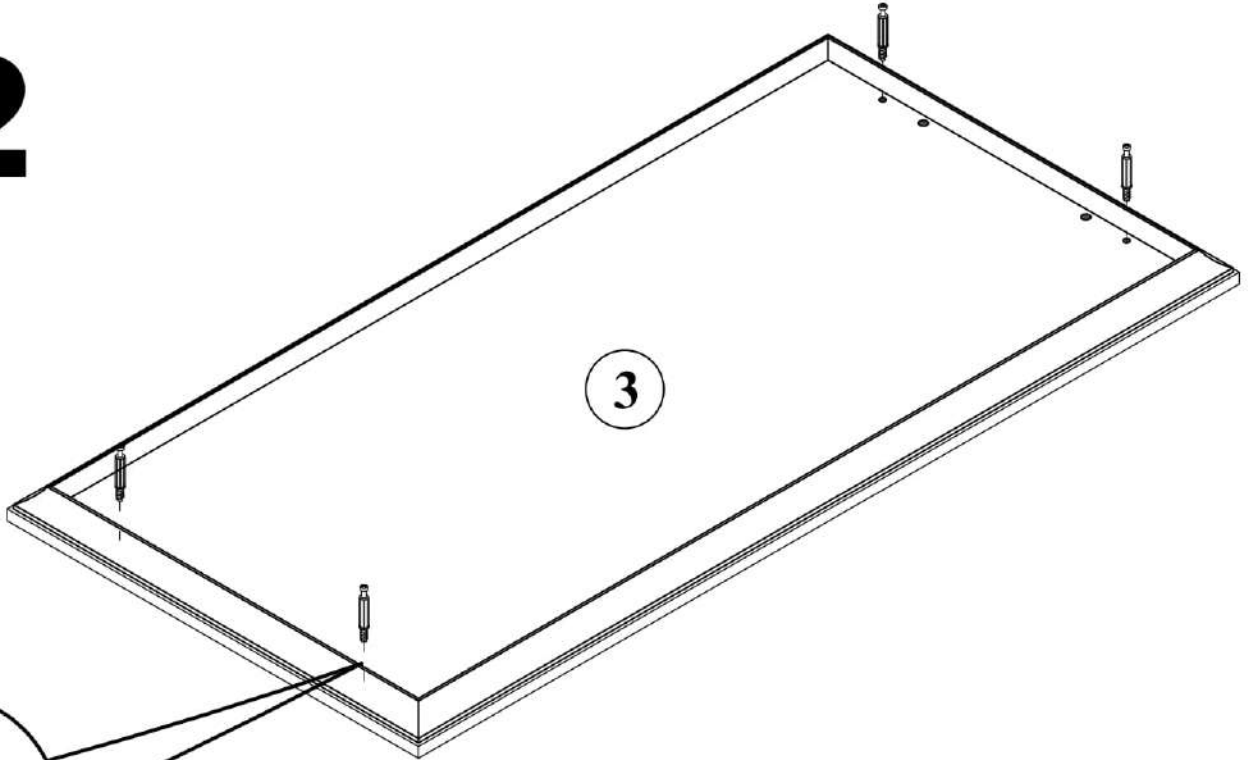
x2



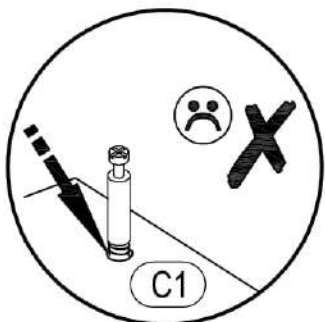
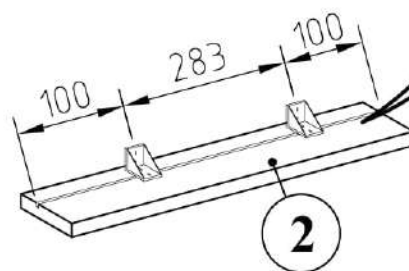
VALERIO COFFEE TABLE

 (C1) 5*30mm x4	 (E5) 3,5*16 x16	 (S13) x8
--	---	--

2

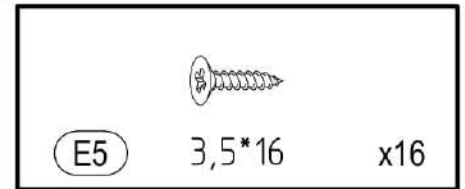
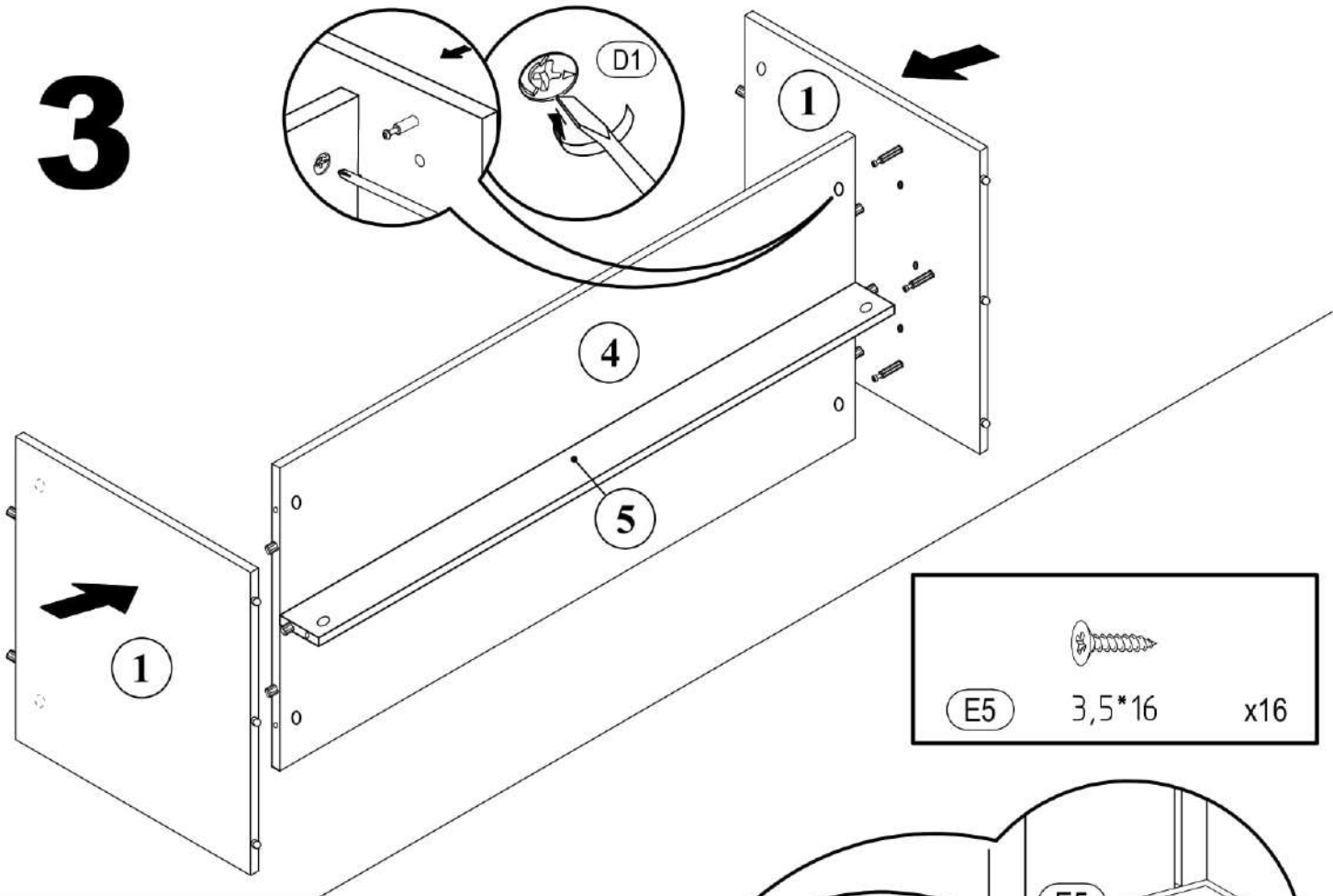


x4

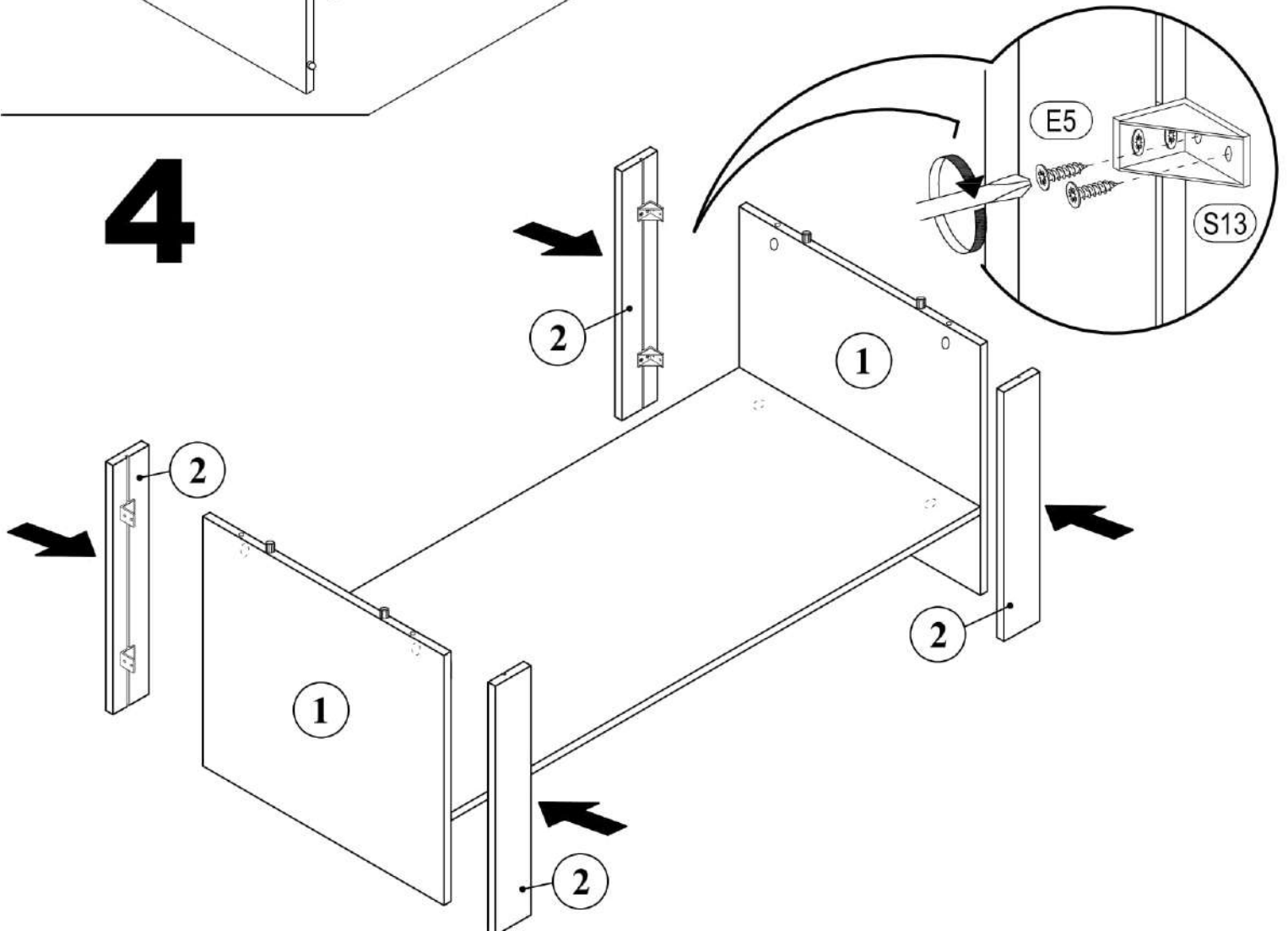


VALERIO COFFEE TABLE

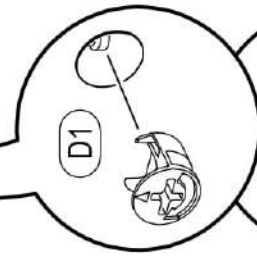
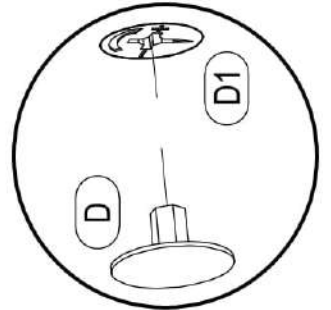
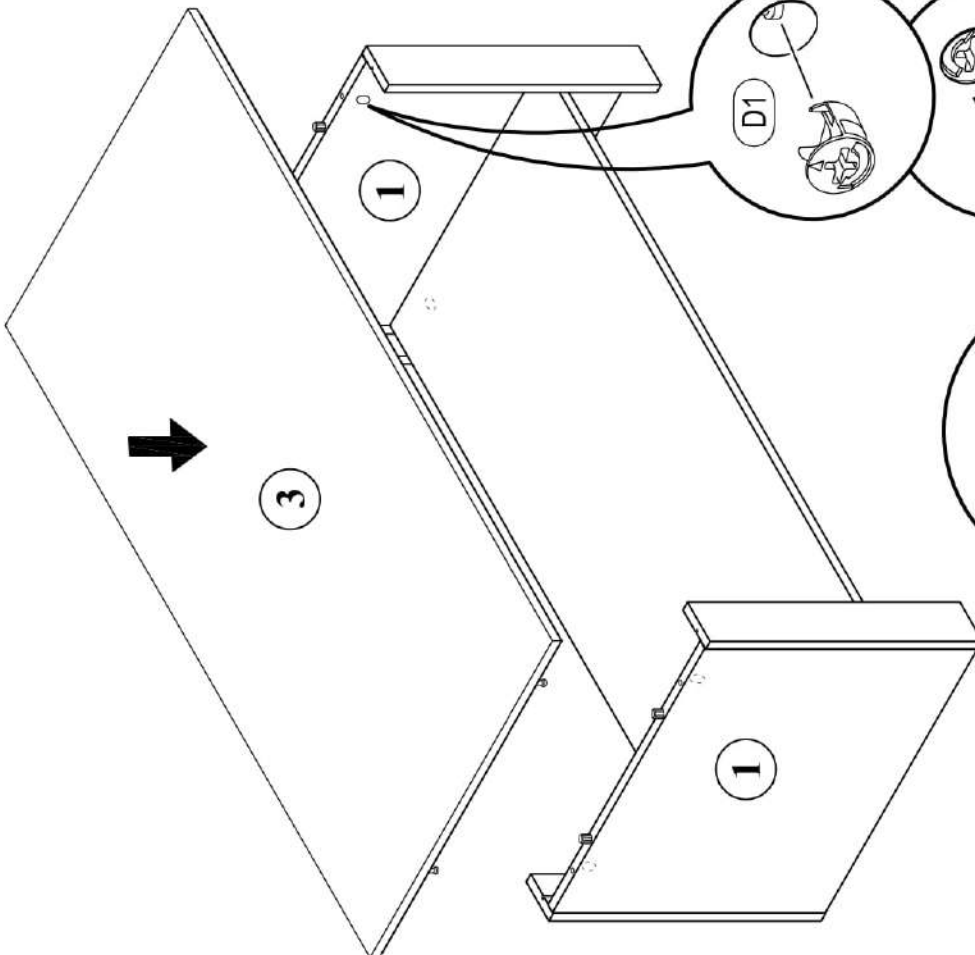
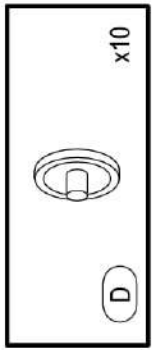
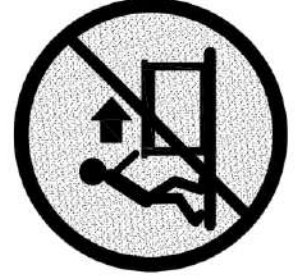
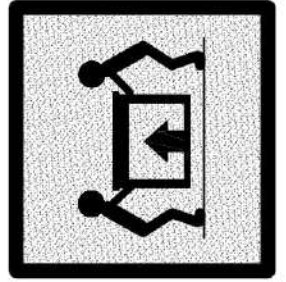
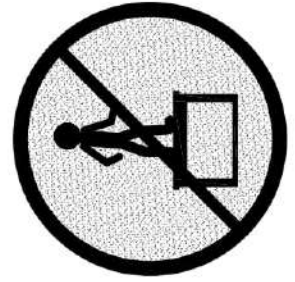
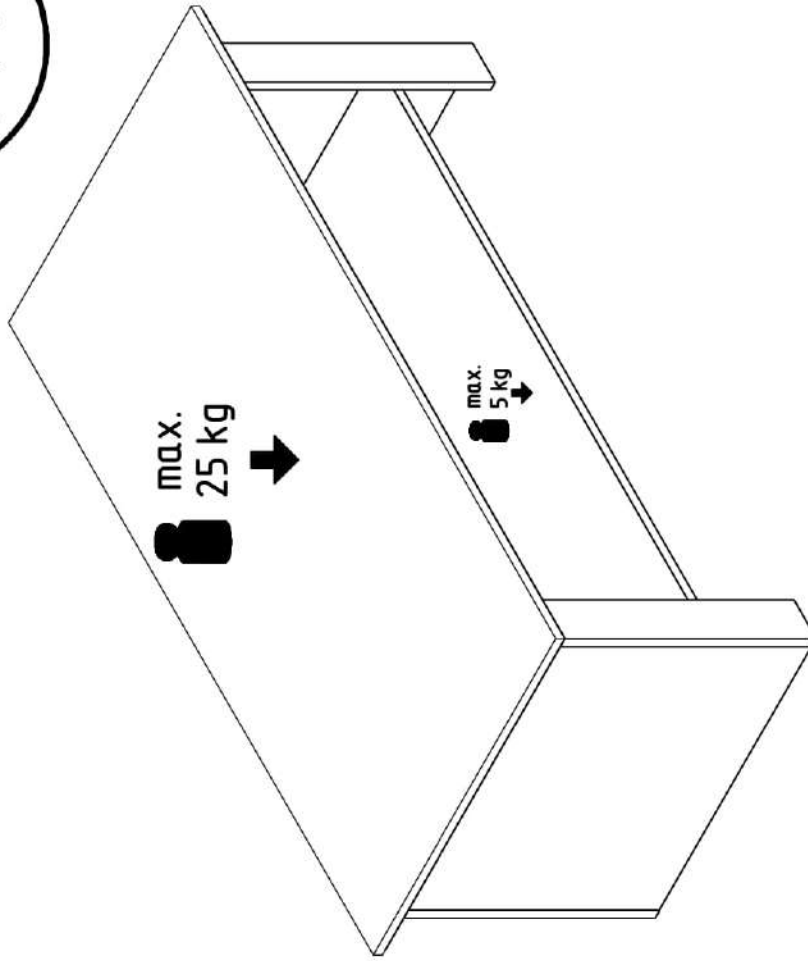
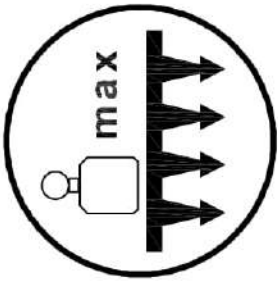
3



4



VALERIO COFFEE TABLE



5

VALERIO
COFFEE TABLE

